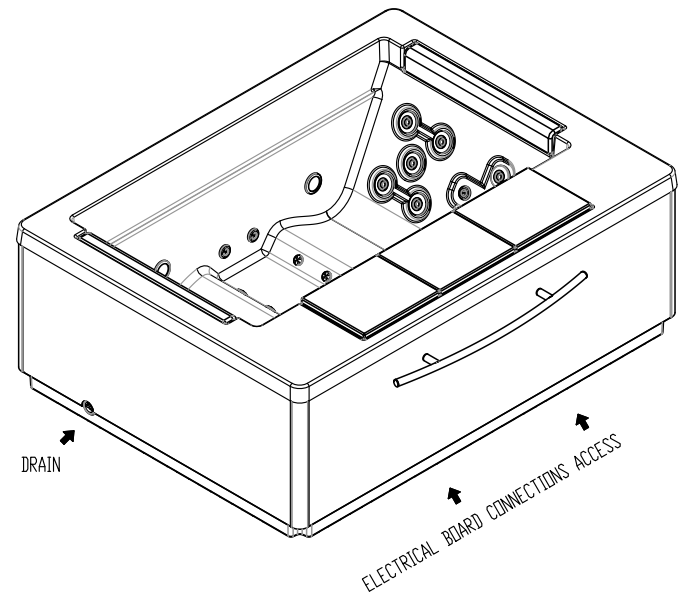
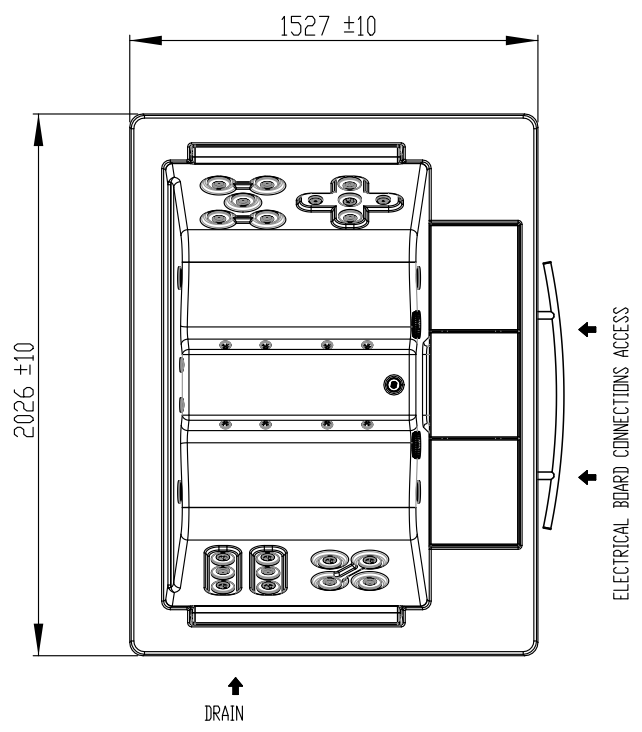
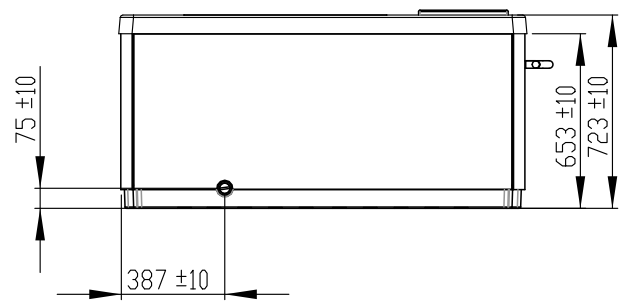
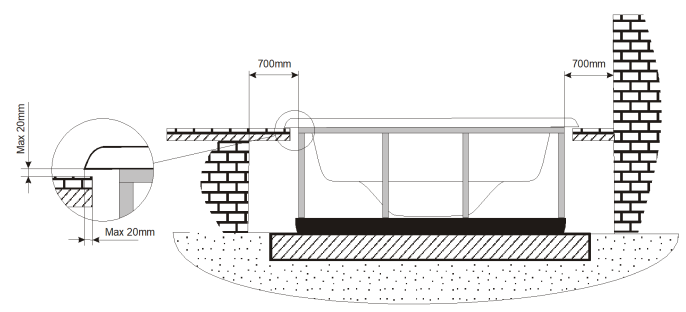


General specifications	
Spa weight (dry)	195 kg
Spa weight (filled)	715 kg



**WARNING:**  
It's essential to keep a minimum clearance access of 700mm all around.



According to our policy of continuous improvement, dimensions, features or components of this product can be partially or completely changed without prior notice.  
It's Customer responsibility to verify that this is the last version of the drawing

01	14/10/2019	ERDS(DF)	Update drawing due to changes in spa		
Change No.	Date	Name	Modification		
Remarks				COMMERCIAL	
Dimensions in mm. General Tolerances +/- 10mm					
Drawn	14/10/2019	ERDS(DF)	71768	Rev. 01	First Angle Projection
Checked	14/10/2019	V.Saiz			
Scale	1:20	General Tolerance			
Sheet	1/2	DIN 7168 ISO 2768g			