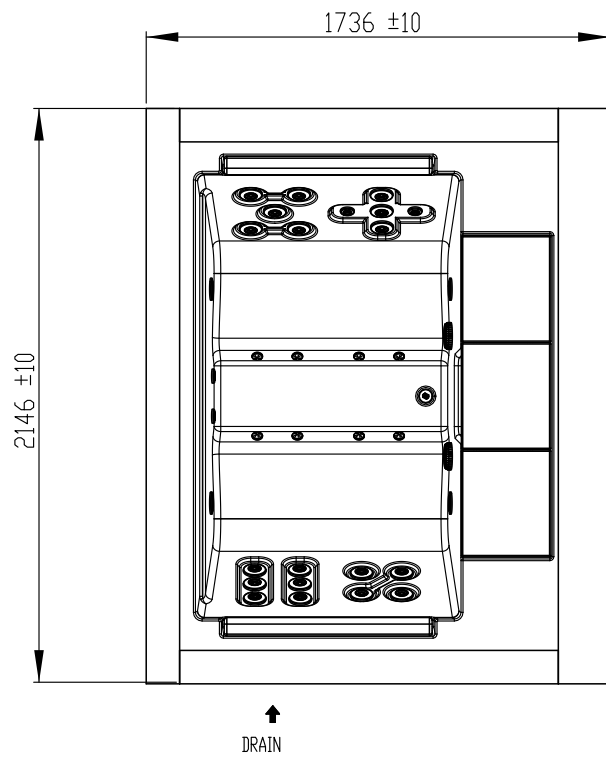
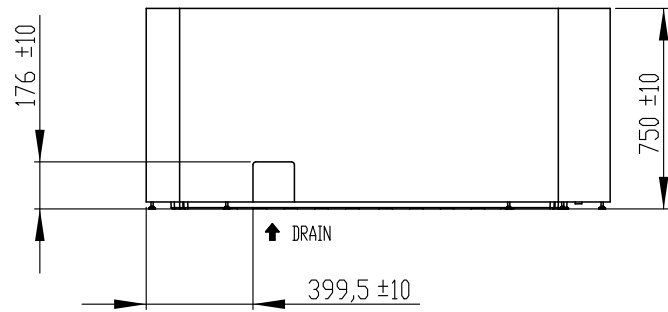
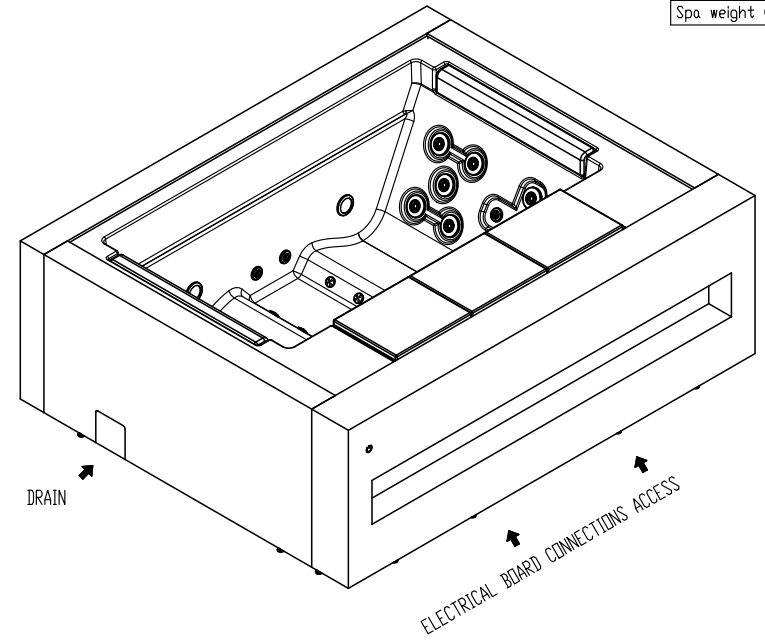


General specifications	
Spa weight (dry)	480 kg
Spa weight (filled)	1000 kg

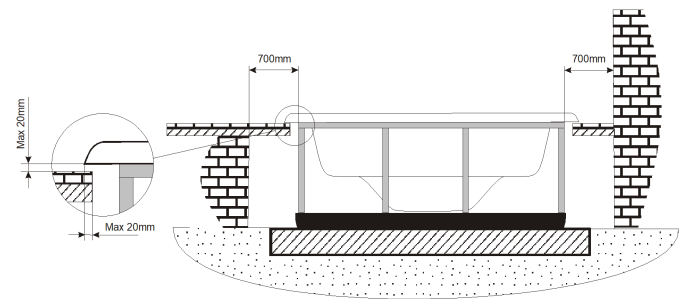


↑ ELECTRICAL BOARD CONNECTIONS ACCESS

↓ ELECTRICAL BOARD CONNECTIONS ACCESS



WARNING:  
It's essential to keep a minimum clearance access of 700mm all around.



According to our policy of continuous improvement, dimensions, features or components of this product can be partially or completely changed without prior notice.  
It's Customer responsibility to verify that this is the last version of the drawing

Change No.	Date	Name	Modification
01	17/10/2019	ERDS(DF)	Update drawing due to changes in spa.
Remarks			
Dimensions in mm. General Tolerances +/- 10mm			COMMERCIAL
Drawn	17/10/2019	ERDS (DF)	71464
Checked	17/10/2019	V.Saiz	
Scale	1:20	General Tolerance	01
Sheet	1/2	DIN 7168 ISO 2768g	
			Rev.
			First Angle Projection