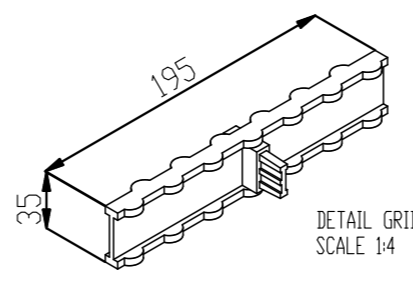
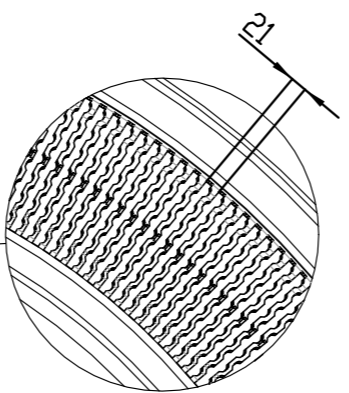
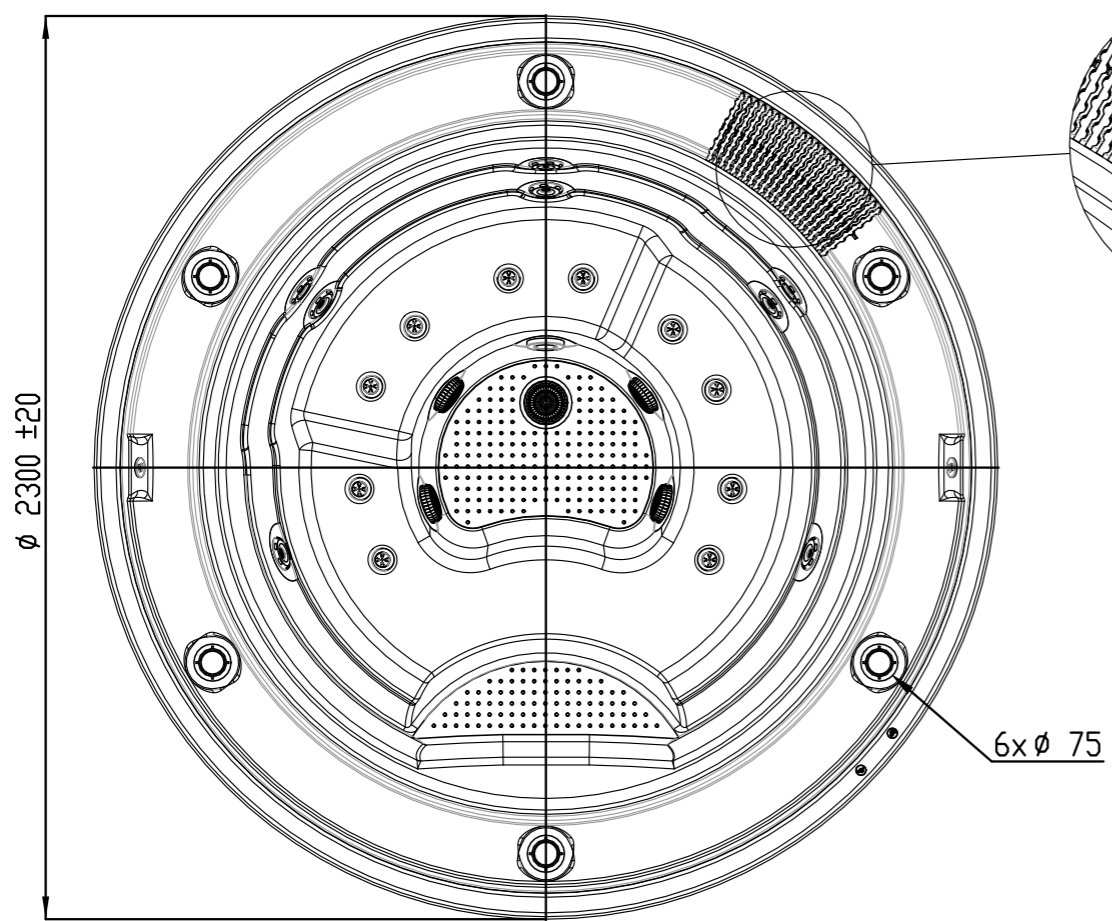
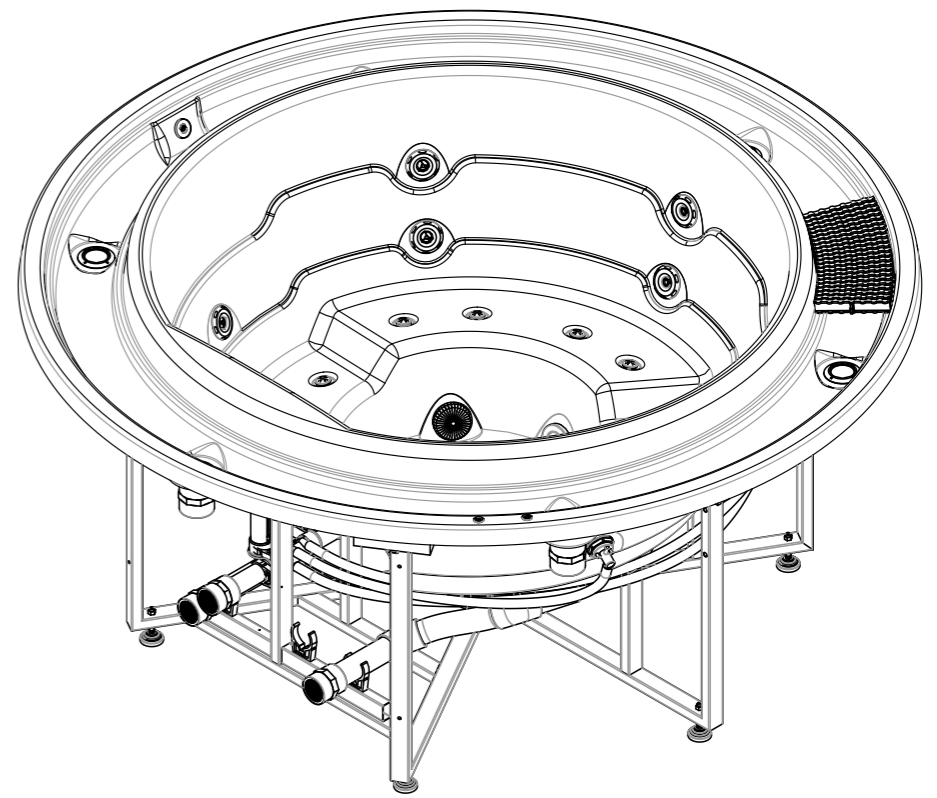
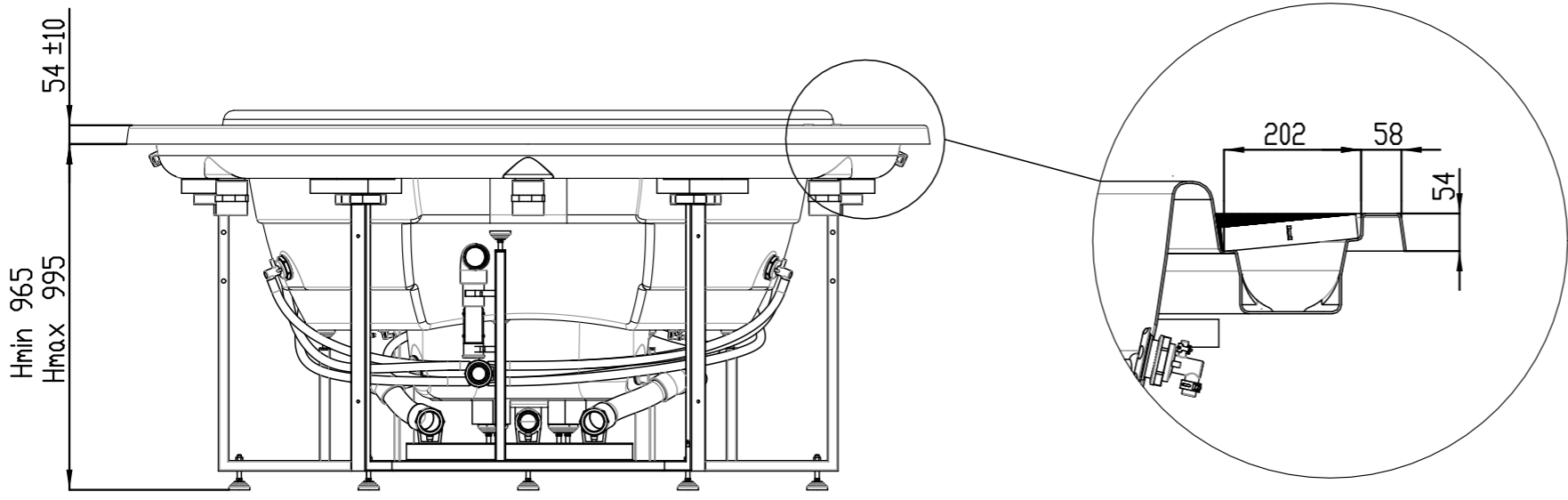


General specifications	
Spa weight (dry)	164 Kg
Spa weight (filled)	1284 Kg
Package dimension	1200x1420x2480mm
Package weight	279 Kg



↑ ↑
HYDRAULIC CONNECTIONS ACCESS

According to our policy of continuous improvement, dimensions, features or components of this product can be partially or completely changed without prior notice.
It's Customer responsibility to verify that this is the last version of the drawing

Change No.	Date	Name	Modification
08	13/02/2020	A.Miquel	Spa geometry changed.
07	19/02/2016	I.Pozo	Change light and drain
06	12/06/14	I.Pozo	New spare template
05	26/05/14	I.Pozo	New templates
04	16/09/13	X.Codina	New templates

Remarks			COMMERCIAL DRAWING	
Dimensions in mm. General Tolerances +/- 10mm			Part Number	Rev.
Drawn	25-05-09	M.Baraut	45215	08
Checked	25-05-09	A.Deu		
Scale	1:20	General Tolerance		
Sheet	1/2	DIN 7168 ISO 2768g		