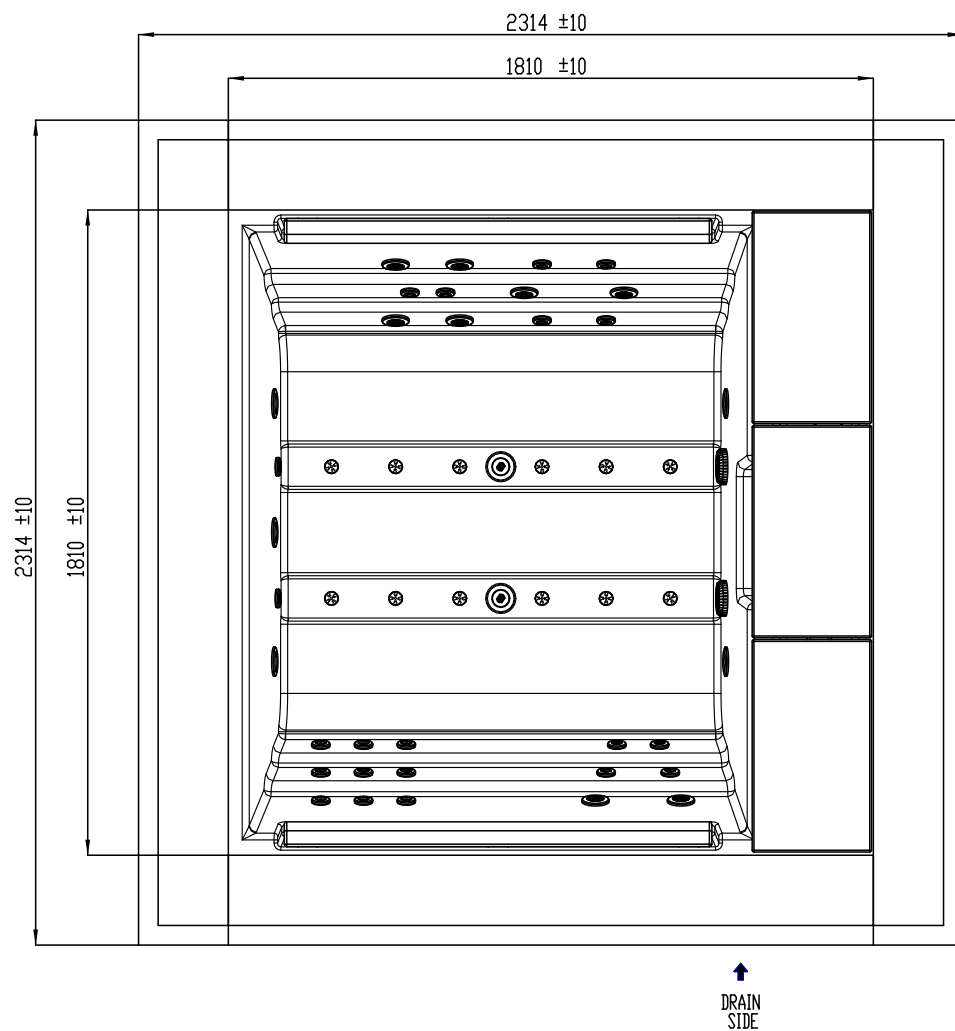
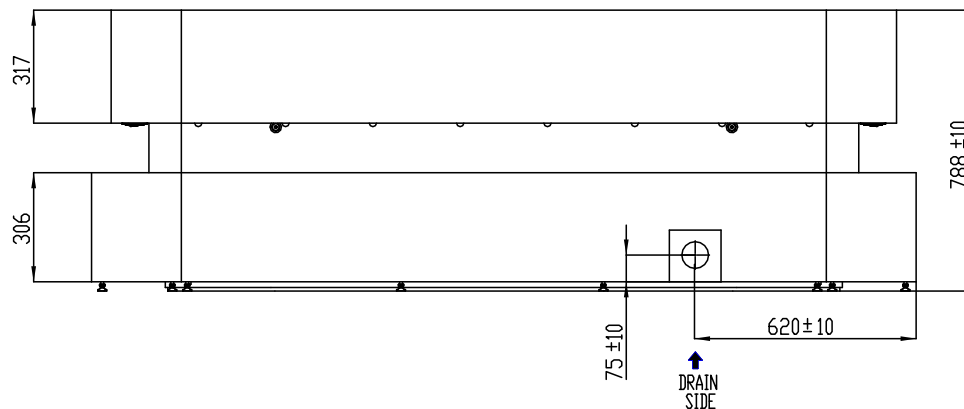
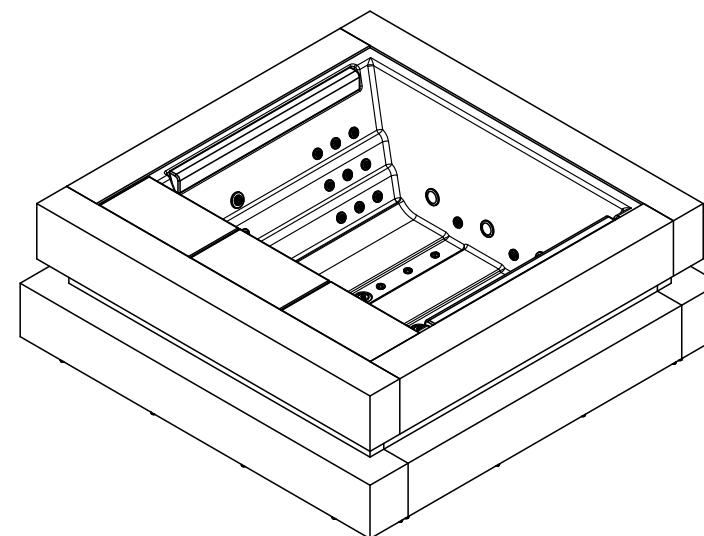


General specifications	
Spa weight (empty)	450 Kg
Spa weight (full)	1.425 Kg



↑  
ELECTRICAL BOARD CONNECTIONS ACCESS  
↑



VALID FROM SERIAL NUMBER: 53186  
VALIDO A PARTIR DEL NUMERO DE SERIE: 53186

According to our policy of continuous improvement, dimensions, features or components of this product can be partially or completely changed without prior notice.  
It's Customer responsibility to verify that this is the last version of the drawing

11	18/12/2018	D.Castillo	Spa weight added.
10	18/09/2018	A.Miquel	Jets (CMP) changed.
09	08/05/2017	O. Faura	Changing of electronic parts references.
08	07/10/2014	I.Pozo	Change Blower 700W and add transformer/controller
07	13/01/2017	R.Vallès	Update measures
Change No.	Date	Name	Modification
Remarks			COMMERCIAL
Dimensions in mm. General Tolerances +/- 10mm			
Drawn	13/01/2017	R.Vallès	Part Number 56541
Checked	13/01/2017	V. Saiz	
Scale	1:15	General Tolerance	Rev. 11
Sheet	1/3	DIN 7168 ISO 2768g	
			First Angle Projection